



## PHER02 - Lincat Phoenix Electric Free-standing Induction Oven Range - 4-Zone - W 600 mm - 11.4 kW [1 or 3-Phase]

With four 1.85kW induction zones and a large three 1/1GN capacity oven, the Phoenix Electric Induction Oven is all about flexibility.

- ✓ Four 1.85kW zones. When you need intense heat to get you cooking fast two zones can be boosted to 3kW for up to 10 minutes
- ✓ Large 3 x GN1/1 capacity twin fan assisted oven enabling three different foods to be cooked simultaneously
- ✓ Incredible efficiency, automatically cutting power when no pan is present, reducing running costs and providing a more comfortable kitchen environment
- ✓ Easy to clean, heavy duty 6mm thick high impact resistant glass ceramic surface
- ✓ Highly insulated oven reducing heat loss and ensuring a more consistent temperature
- ✓ Suitable for single or three phase applications

### Specifications

#### Summary

<b>Brand</b>	Lincat
<b>Range</b>	Phoenix
<b>Power Type</b>	Electric
<b>Unit Type</b>	Free-standing
<b>Available in UK Only</b>	No
<b>UK Warranty</b>	2 Years Parts and Labour Warranty
<b>Export Warranty</b>	Contact your local dealer
<b>GTIN</b>	5056105118466

#### Power and Performance

<b>Total Power kW</b>	11.4
<b>Temperature Range °C</b>	50-250
<b>IP Rating</b>	IP24
<b>Cooking Area (Width x Depth) mm</b>	190 diameter x 6
<b>Temperature Control</b>	Mechanical
<b>Rating per Hob kW</b>	1.85
<b>Oven Rating kW</b>	4

#### Key Specifications

<b>Number of Shelves included</b>	3
<b>Number of Shelf Positions</b>	5
<b>Number of Hobs</b>	4
<b>Shape of Hob</b>	Round

#### Capacity

<b>Gastronorm Capacity</b>	3 x GN1/1
----------------------------	-----------

#### Weights and Dimensions

<b>Unit Height (External) mm</b>	900
<b>Unit Width (External) mm</b>	600
<b>Unit Depth (External) mm</b>	805
<b>Height (Internal) mm</b>	405
<b>Width (Internal) mm</b>	495
<b>Depth (Internal) mm</b>	530
<b>Shelf Dimensions Width mm</b>	480
<b>Shelf Dimensions Depth mm</b>	530
<b>Hob Dimensions mm</b>	190
<b>Net Weight Kg</b>	109

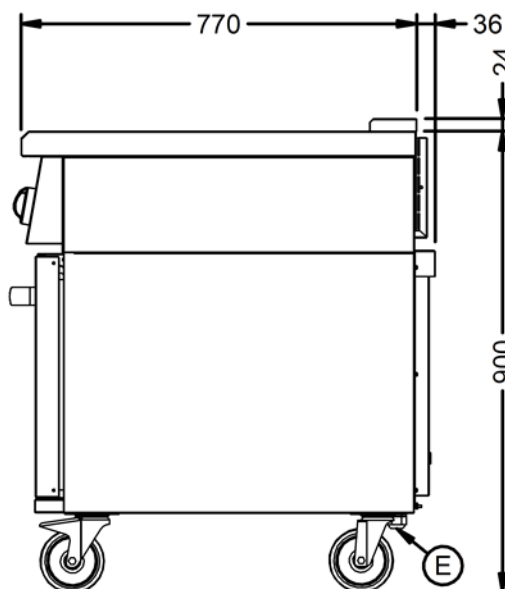
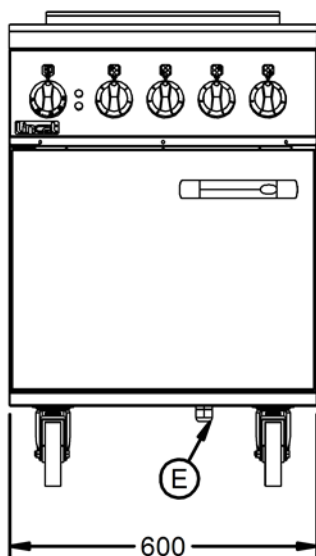
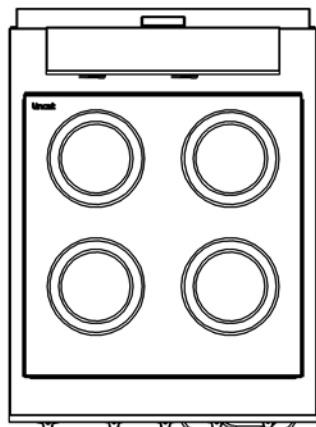
#### Supply Connections

<b>Requires Installation</b>	Yes
<b>Requires Electrical Supply</b>	Yes
<b>UK 3 Pin Plug</b>	No
<b>Requires Hardwiring</b>	Yes
<b>Electrical Supply Rating Watts</b>	11,400
<b>Single Phase Amps</b>	49.6
<b>Single Phase Voltage</b>	230
<b>Three Phase Amps</b>	L1=17.4; L2=16.1; L3=16.1
<b>Three Phase Voltage</b>	400

#### Shipping

<b>Packed Weight Kg</b>	0
<b>Packed Height cm</b>	0
<b>Packed Width cm</b>	0
<b>Packed Depth cm</b>	0

Technical Picture



**Lincat Limited**

Whisby Road,  
Lincoln, LN6 3QZ,  
United Kingdom

**Company No:** 2175448

A member company of



**Customer Care**

**Tel:** +44 1522 875500  
**Email:** care@lincat.co.uk

**Export Customers**

**Tel:** +44 1522 503250  
**Email:** export@lincat.co.uk

**Opening Hours**

**Monday – Friday:**  
8.30am – 5pm